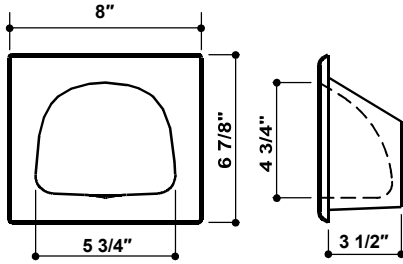
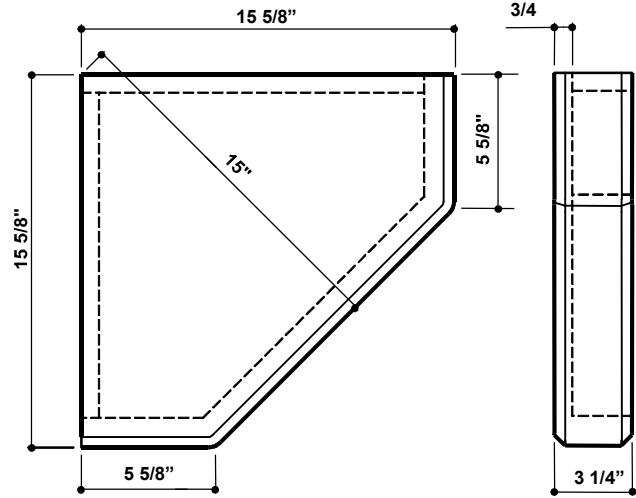


ACCESSORIES

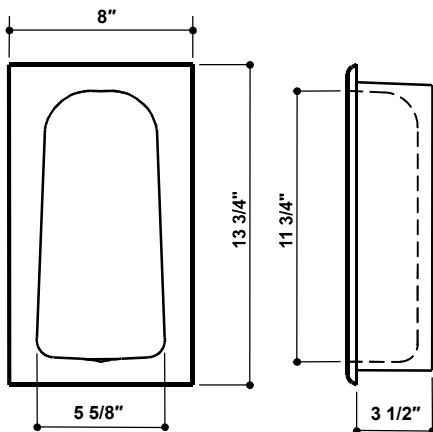
Soap Holder
Model SH-1



Shower Seat
Model SS15N



Shampoo Holder
Model SH-2



Double Shampoo Holder
Model SH-3

