

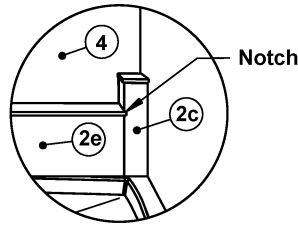
60" x 34" SHOWER PACKAGE w/ RIGHT SEAT

48 x 34" Standard Base with Bench Seat Right - Model CP6034-R

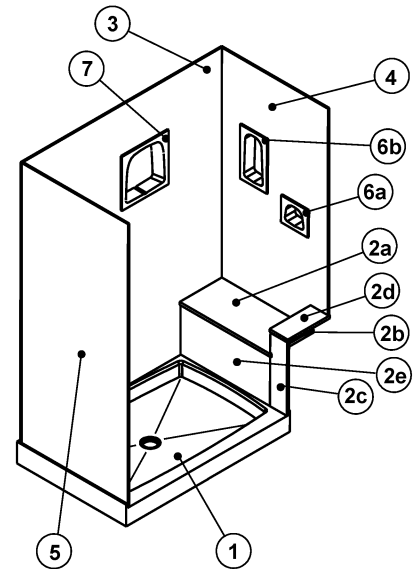
(Space Required: 60-1/4" x 34-1/4" Rough Opening)

Package Includes

Item	Description
1	SB4834 Shower Base
2a	Seat 29 x 12-5/8 x 3/4"
2b	Panel 12 x 5-1/2 x 3/8"
2c	Knee Wall Header 18-5/8 x 4-7/8 x 3/8"
2d	Knee Wall Cap 12-3/8 x 5-3/8 x 3/4"
2e	Seat Riser 28-5/8 x 12-5/8 x 3/8"
3	Panel 72 x 59 x 3/8"
4	Panel 58-5/8 x 33 x 3/8"
5	Panel 72 x 33 x 3/8"
6a	SH-1 Soap Holder
6b	SH-2 Shampoo Holder
7	SH-3 Double Shampoo Holder



Knee Wall Detail

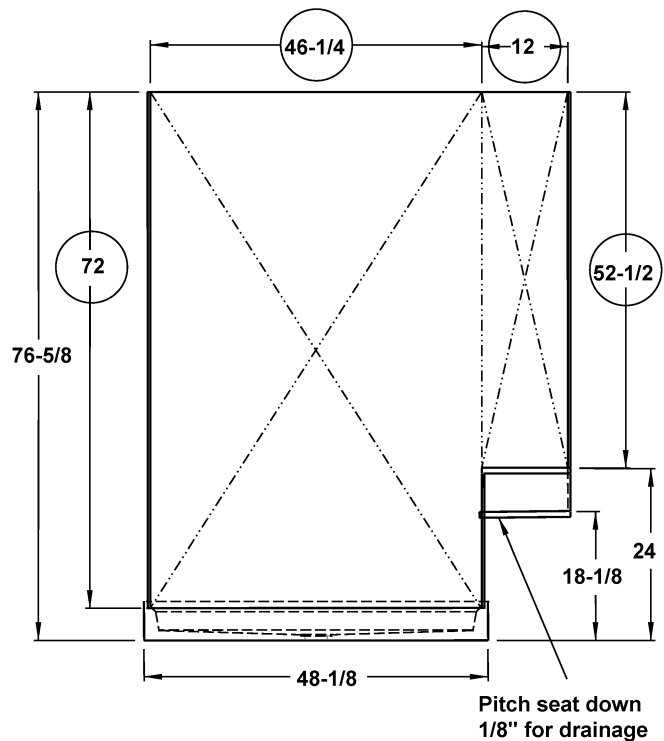
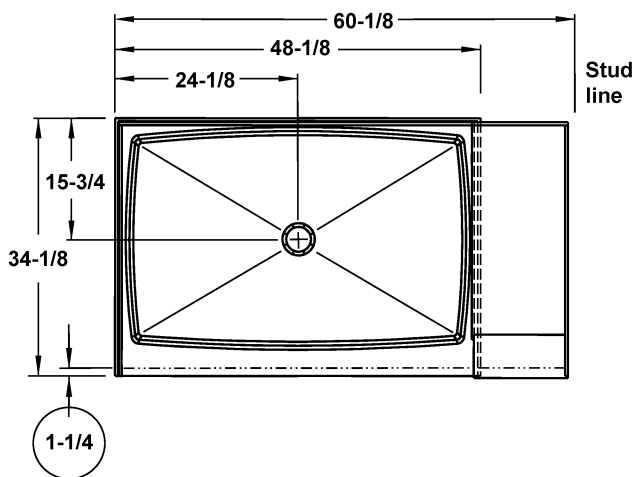


Assembly Order

Item 1 Base against studs, seat / knee wall frame, sheetrock.
 Then in order Items; 2a (Seat), 2b, 2c, 2d, 2e.
 Notch back panel 3 to fit seat and install.
 Notch panel 4 to fit knee wall and install.
 Install side panel 5.
 Then install Soap/Shampoo Holders 6a, 6b,
 and 7 at the desired location.

NOTE

Glass centerline dimensions are circled (approximate).



NOTES:

1. Shower Bases have molded texture pattern for slip resistance and 1" water seal lip
2. All Shower Walls are 3/8" thick
3. Package includes Silicone Adhesive and Color Matched Sealant Kit
4. Base and Walls are cast products and, as such, variations in finish dimensions will occur - Normal Tolerance +/- 1/4"