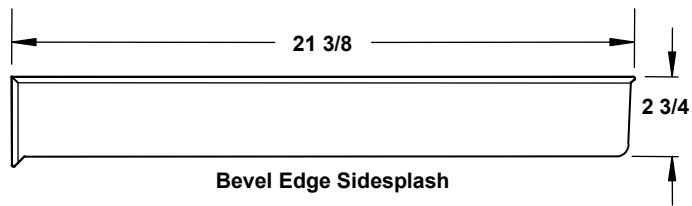
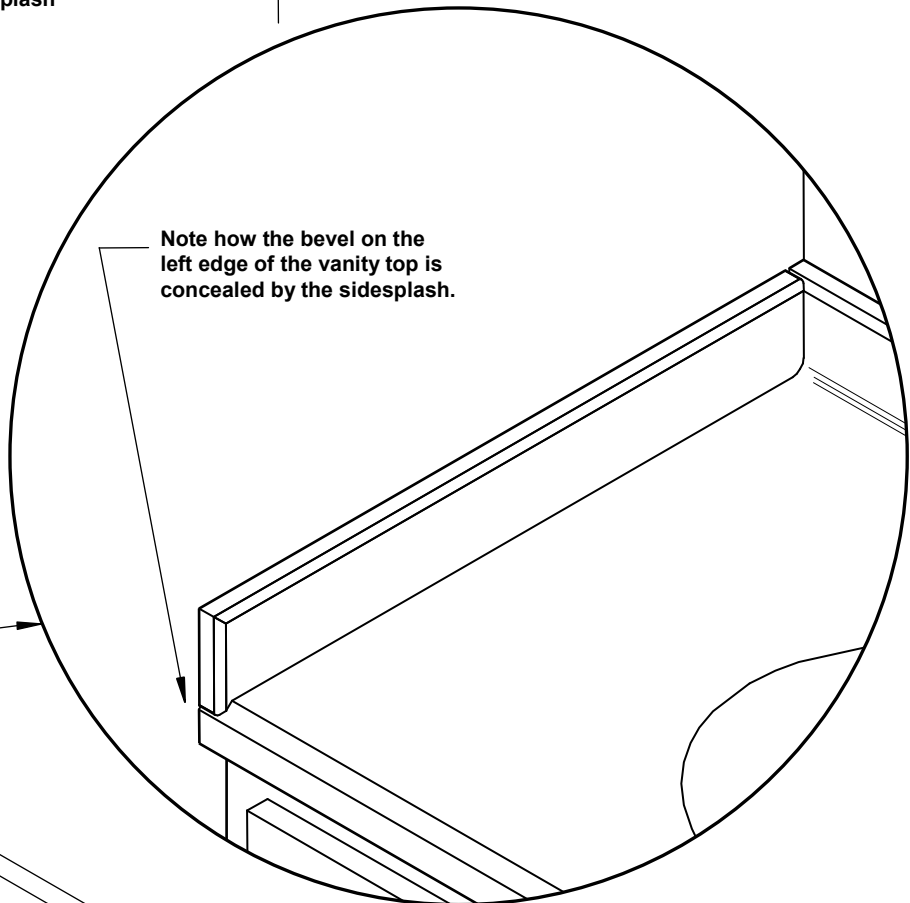


# BEVEL EDGE SIDESPLASH INSTALLATION DETAILS

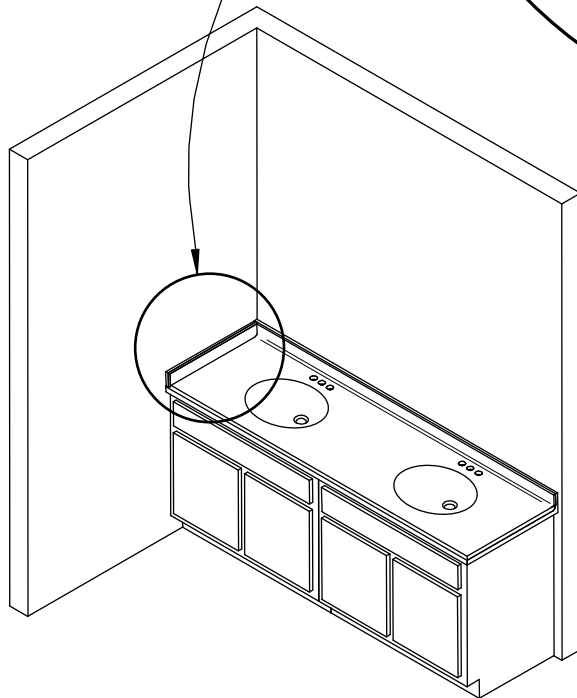


Install the sidesplash after the cabinet and vanity top have been installed.

1. Clean surface of all dirt, wax, and grease with isopropyl (rubbing) alcohol.
2. Adhere the sidesplash to the wall and edge of the vanity top with RTV Silicone adhesive.
3. Remove excess adhesive after curing with a plastic spoon to avoid damage to the **TERE-STONE®** surfaces.
4. Joints may then be sealed with the same material or our Color Coordinating Silicone Sealant.



Detail of Bevel Edge Sidesplash Installation.



DOB73 Vanity Top with Left Bevel Edge Sidesplash on (2) 36" x 21" Vanity Cabinets