

CONSOLE INSTALLATION INSTRUCTIONS

The Console is designed to be a free-standing assembly with the deck attached to the wall and the base of the leg assembly installed onto the finished floor.

Material Supplied by Taylor:

- (2) "H" Shaped leg frame assemblies comprising
 - (4) Caps with locator pins
 - (4) Adjustable feet assemblies
 - (4) Decorative collars
- (1) Cross Tube
Bag Containing:
 - Installation Instructions
 - (2) Molly Bolts to fit 1/2" to 1" walls
 - 1 oz. tube of Silicone RTV adhesive
 - (2) Stainless Steel set screws
 - Allen wrench (hex key)

Materials/Tools Required

Drill with 3/8" drill bit
Screw driver (#2 Phillips)
Small bubble level
Rubbing Alcohol
Tissue paper
Pencil

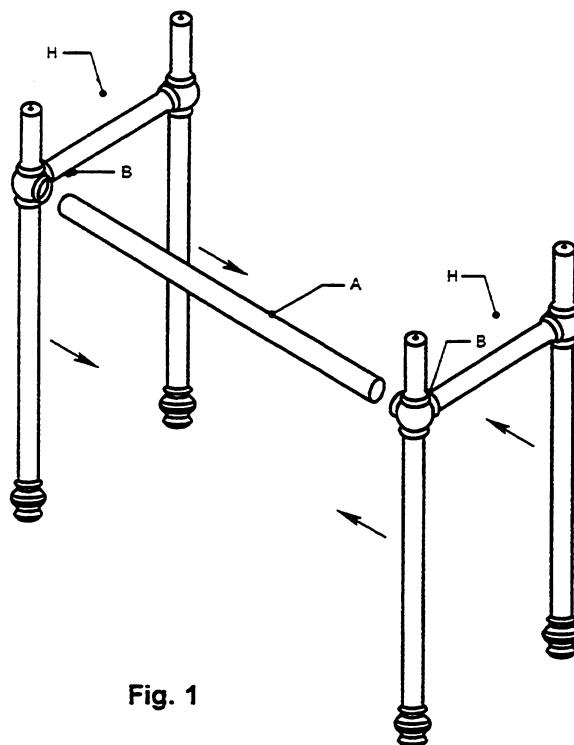


Fig. 1

- Step 1. Insert cross tube "A" into the two tees of the two "H" assemblies (See Fig 1).
- Step 2. Tighten the two set screws "B" with the hex key provided (See Fig. 1).
- Step 3. Place the stand assembly near the final position, centered on waste connection. Mark wall stud locations.
- Step 4. Unpack the Console Top. Invert and install the faucet and drain assembly hardware per manufacturer's instructions. Silicone sealant is recommended for sealing the drain assembly hardware.
- Step 5. Place the Console Top onto the assembled frame aligning the holes in the underside of the top with the pins in the top of the legs.
- Step 6. Level the Console Top by rotating the leveling feet end pads (See Fig. 2).
- Step 7. Place assembly into final position. Mark the wall through the center of the angle bracket slots for 3/8" drilling for the two Molly Bolts supplied. If the mark is within 2" of the stud centerline move the angle bracket to the alternate location. Other fasteners with similar strength may be substituted to suit the wall construction. Adjust frame so that the legs are all plumb and mark the location on the floor. Remove the Console Top. Remove the frame assembly.
- Step 8. Drill the wall for the anchors or desired fasteners. Insert the Molly Bolt and tighten the screw to expand. Continue to tighten until a small increase in resistance is felt. Do not overtighten. Remove the screw and save.

- Step 9. Clean the floor where the feet will rest. Clean the cap and feet of the stand assembly and the underside corners of the Console Top. Use isopropyl (rubbing) alcohol to clean these areas.
- Step 10. Apply silicone RTV to the top of each leg cap and to the area where the feet will rest. (See Fig. 3).
- Step 11. Set leg stand into position. Then set the Console Top in place. Fasten Console Top to the wall with the screw from the Molly Bolts saved from Step 8. Using tissue paper wipe away the excess silicone RTV. Connect the waste line and water supply lines per manufacturer's instructions. Make any final adjustments to set the legs plumb. Allow assembled unit to remain undisturbed until the silicone RTV has cured (approximately 24 hours).

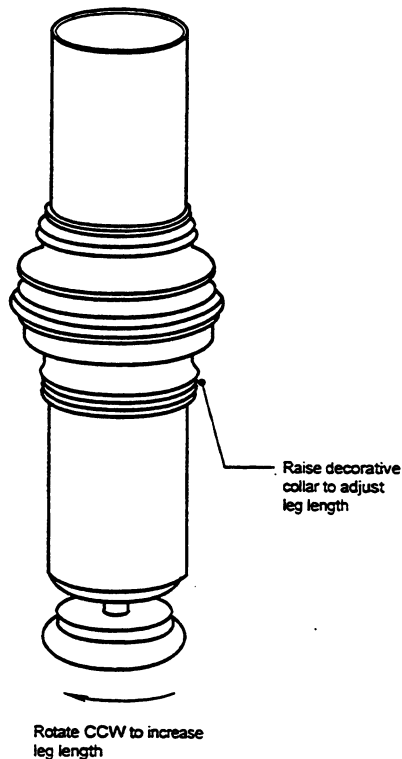


Fig. 2

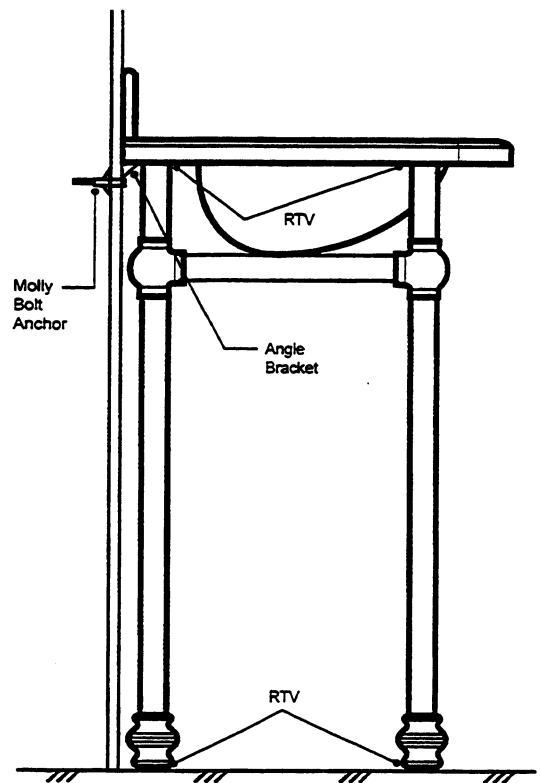


Fig. 3

NOTE:

Generally clean stand assembly and Console Top with a dampened cloth. For rigorous cleaning use only a **non-abrasive** and **non-ammonia** based household cleaner. Apply liquid or paste wax to maintain luster and refer to "Care and Maintenance Instructions".

CAUTION - Check your water temperature. Water temperature in excess of 150 degrees F can damage this surface. Do not use instant hot water dispensers.